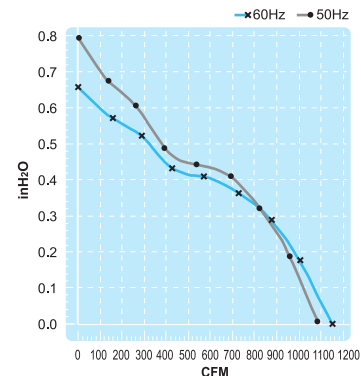
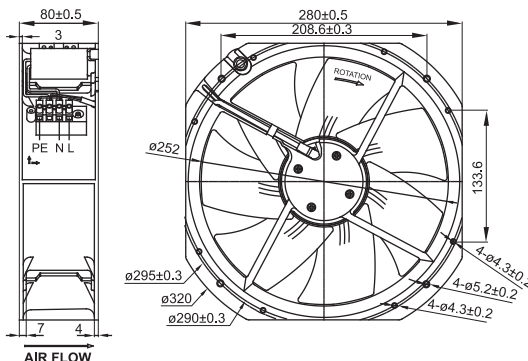


UF250BMB Series

EXO.M
electric s.r.l.



Size : 280 x 280 x 80
Unit : mm



Thermally-Protected



Spec. / Model	Rated Voltage / V	Frequency / Hz	Input Power / W	Rated Current / A	Locked Current / A	Speed / RPM	Maximum Air Flow / m ³ /min.	Maximum Air Flow / CFM	Maximum Pressure / mmH ₂ O	Maximum Pressure / InchH ₂ O	Capacitor / μF/VDB	Noise / dB	Weight / kg
UF250BMB11H1C2A	115V	50	112	1.00	1.90	2550	31	1090	20.0	0.78	12/250	68	2.8
		60	148	1.50	1.90	2700	32	1130	16.5	0.65		70	
UF250BMB23H1C2A	230V	50	119	0.59	0.91	2550	31	1090	20.0	0.78	4/450	68	2.8
		60	158	0.82	0.91	2700	32	1130	16.5	0.65		70	