

FINECORSA LIMIT SWITCHES

Usò/Use:

Apparecchiature meccaniche, automazione, strumenti per il controllo elettronico, ...
Mechanical equipment, automation, electronic, motion tools...

Caratteristiche/Features:

Corpo metallico e alta precisione; Costruiti per rendere semplice il collegamento elettrico; Elevata forza meccanica; Isolamento dalla polvere

High precision; metal die-casting body; easy to wire connection construction; high mechanical strength; dust-proof construction

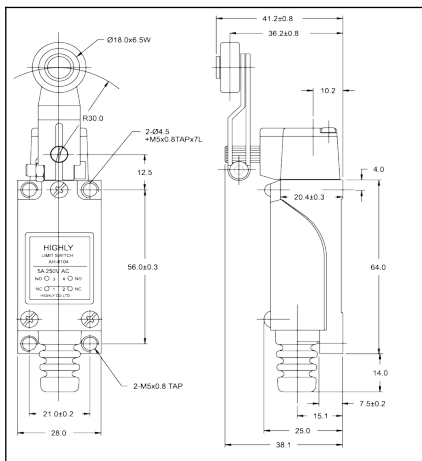


DATI TECNICI / DATA	
Carico resistivo / Rating load:	5A 250VAC / 125VAC
Resistenza isolamento / Insulation resistance:	100MΩ min (500VDC)
Resistenza contatto / Contact resistance:	25mΩ max (in.)
Vita meccanica / Mechanical life:	1,000,000 operazioni / operations min
Vita elettrica / Electrical life:	100,000 operazioni / operations min

Certificazioni/Approvals
CE

note:

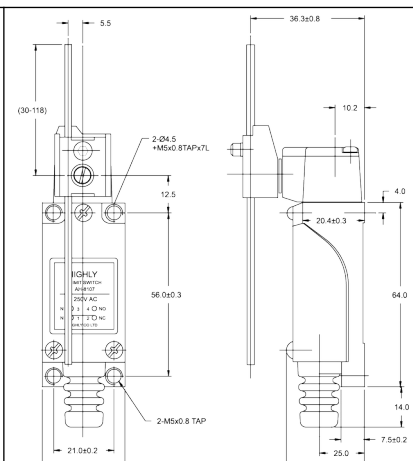
Specifica articoli/Operating features



Ah8104

Funzionamento / Operating characteristics

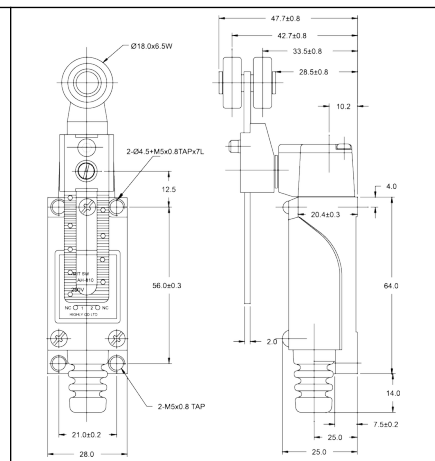
OF max.	600g
RF min.	50g
PT max.	20°
MD max.	10°
OT min.	75°
TT min.	95°



Ah8107

Funzionamento / Operating characteristics

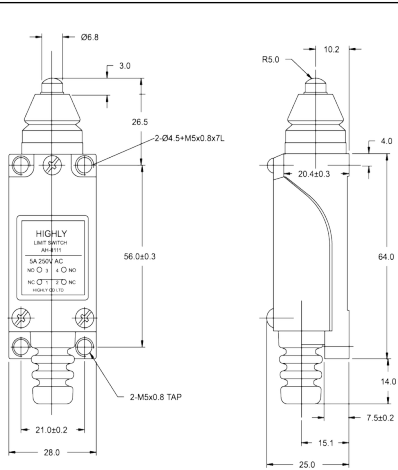
OF max.	800-230g
RF min.	50-12g
PT max.	20°
MD max.	10°
OT min.	75°
TT min.	95°



Ah8108

Funzionamento / Operating characteristics

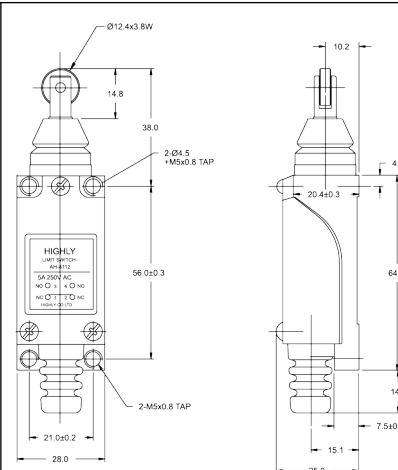
OF max.	800-342g
RF min.	50-12g
PT max.	20°
MD max.	10°
OT min.	75°
TT min.	95°



Ah8111

Funzionamento / Operating characteristics

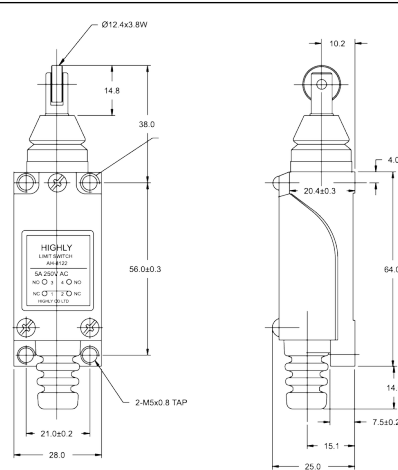
OF max.	900g
RF min.	150g
PT max.	1.5 mm
MD max.	0.7 mm
OT min.	4 mm
TT min.	5.5 mm



Ah8112

Funzionamento / Operating characteristics

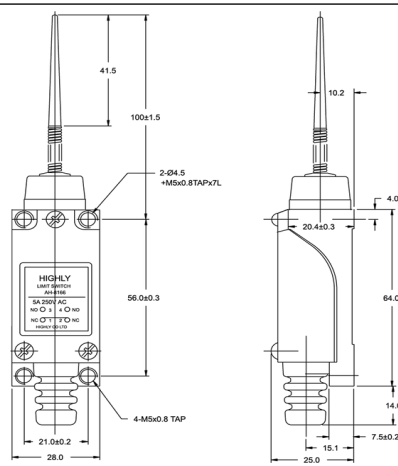
OF max.	900g
RF min.	150g
PT max.	1.5 mm
MD max.	0.7 mm
OT min.	4 mm
TT min.	5.5 mm



Ah8122

Funzionamento / Operating characteristics

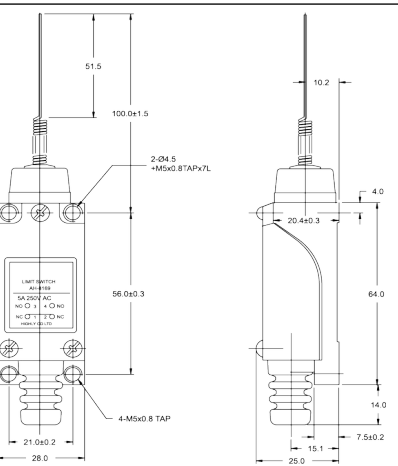
OF max.	900g
RF min.	150g
PT max.	1.5 mm
MD max.	0.7 mm
OT min.	4 mm
TT min.	5.5 mm



Ah8166

Funzionamento / Operating characteristics

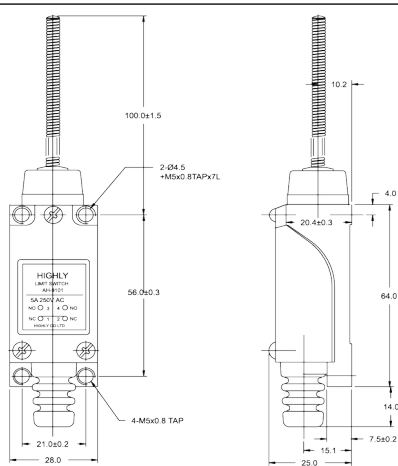
OF max.	900g
RF min.	--
PT max.	30 mm
MD max.	--
OT min.	20 mm
TT min.	50 mm



Ah8169

Funzionamento / Operating characteristics

OF max.	900g
RF min.	--
PT max.	30 mm
MD max.	--
OT min.	20 mm
TT min.	50 mm



Ah9101

Funzionamento / Operating characteristics

OF max.	900g
RF min.	--
PT max.	30 mm
MD max.	--
OT min.	20 mm
TT min.	50 mm