




Specification for Approval

Confirmation Signature

Approved by
 <p>The stamp is circular with the company name in Chinese and English: 信灣電機企業股份有限公司 (SINWAN ELECTRIC INDUSTRIES CO., LTD.). It includes the address: 新北市新莊區北深路3段270巷18號8樓 (No. 100, Lane 170, Sec. 3, Beishen Rd., Shenkeng Dist., New Taipei City, 222, Taiwan). Contact information: TEL: 02-26620728, FAX: 02-26627019.</p>

★ Please send one copy of this specification back after you signed for production pre- arrangement.

Model:	SE172SAP-FR-HWB (Ex69)(MS)
Customer Model:	
Customer:	EXO.M ELECTRIC S.R.L.
Address:	
Prepared by:	R&D Dept.
Version A.	2024.11.25
Version B.	
Version C.	
Note:	

Sinwan Electric Industries Co., Ltd.
Tel: 886-2-2662-0728
Fax: 886-2-2662-7019
Email: sinwanfan@sinwan.com.tw
Website: www.sinwan.com.tw

Specification for Approval

1. Characteristics – SE172SAP-FR-HWB (Ex69)(MS)

- a. EC Fan (AC to DC)
- b. 172x152x51.6mm
- c. 220CFM



Motor

Motor Type:	AC-DC Energy Saving
Motor Protection	Electronically protected
IP Protection:	IP69K

Mechanical

Frame:	Aluminum die cast, black color cosmetics
Impeller:	5 blades, Thermoplastic PBT UL 94-V0
Bearing:	Two ball bearings
Rotation:	CCW seen on rotor
Connection:	Wire leads
Weight:	710g

Electronical

Dielectric Strength:	1400VAC/min
Speed control:	-
Signal Output:	-

Environment

Operating Temp:	-20°C ~ +65°C
Storage Temp:	-20°C ~ +75°C (at 65%RH)
Life Expectancy:	L10 50K hours at 40°C

Approval

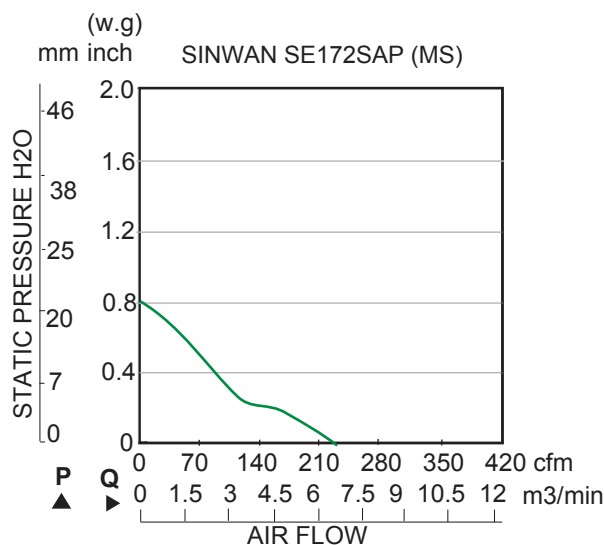


Specification for Approval

2. Test Results Data

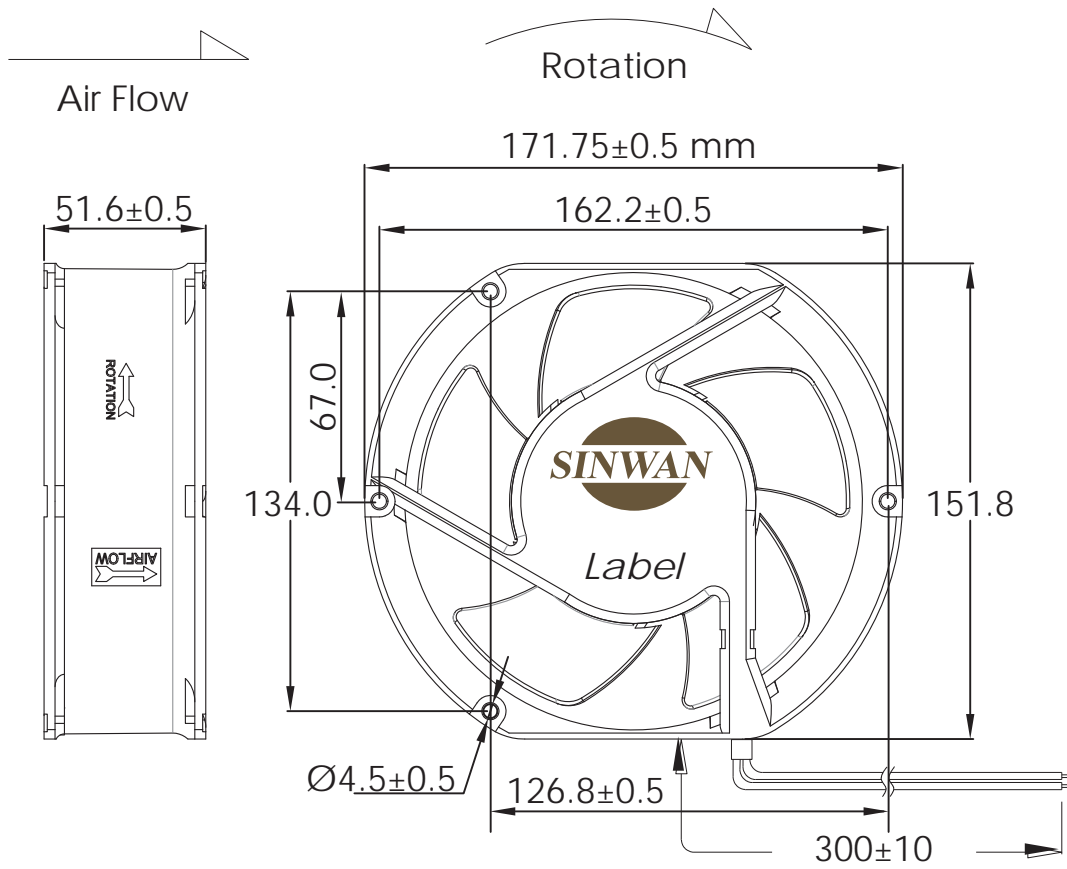
SE172SAP-FR-HWB (Ex69)(MS)			
1.	Rated Voltage	VAC	110/220
2.	Voltage Range	VAC	90~265
3.	Input Power	Watt.	18/16
4.	Operation Frequency	Hz	50/60
5.	Ref. Speed	RPM	3000
6.	Max Airflow	CFM	220
		m3/min	6.2
7.	Max Static Pressure	Inch/H2O	0.8
		mm	20.32
8.	Noise	db(A)	55
Note: Sinwan reserves the right to change data and improve electrical & mechanical design without notice, data tolerance $\pm 10\%$			

3. P-Q Curves



Specification for Approval

4. Drawings



Lead wires x2:
 UL1007, #18AWG
 Black wires ACV